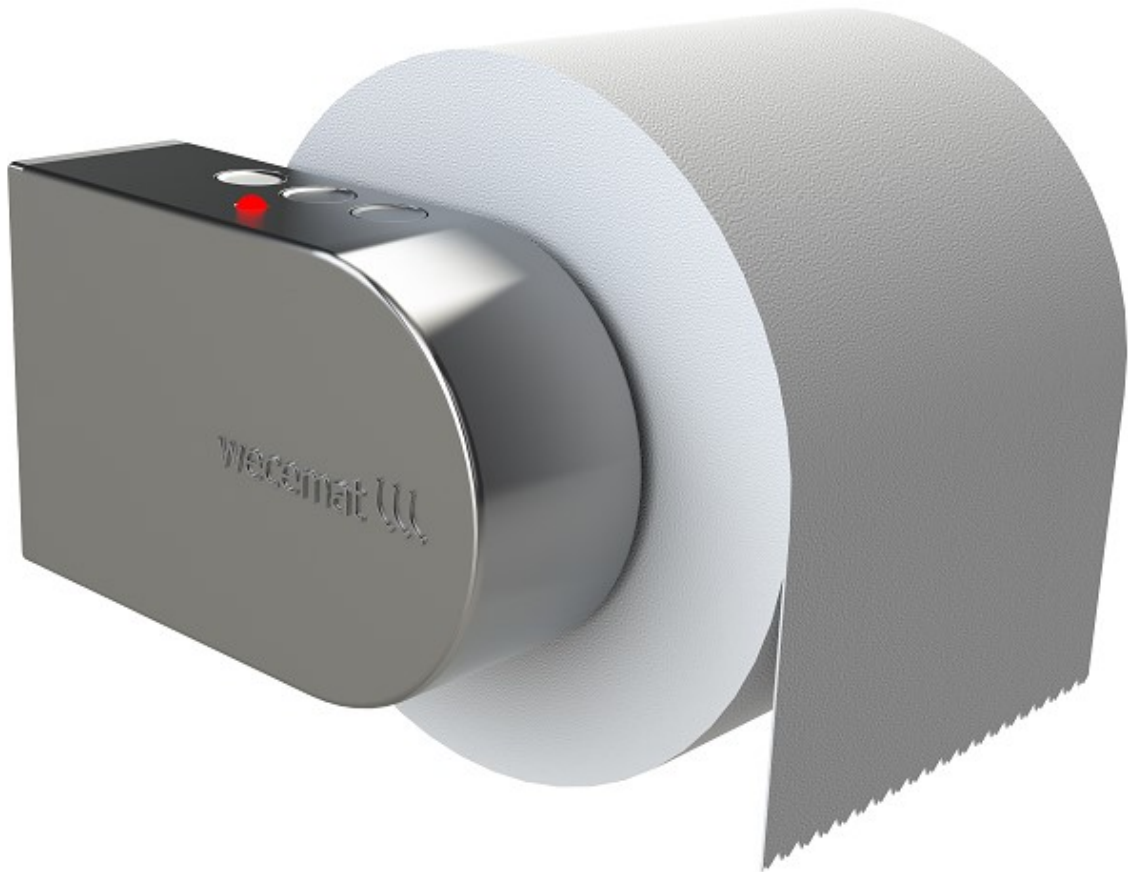


Instructions for use A01-CE

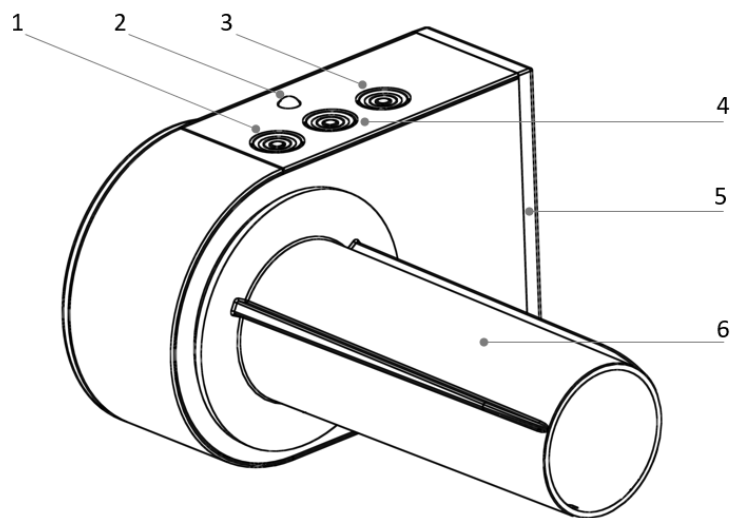


Symbol description

| | | |
|--|--------------------|---|
| | WARNING | Always take note of any information marked with the words WARNING and warn sign. |
| | Information | Information and tips to make it easier to use your wecemat. |

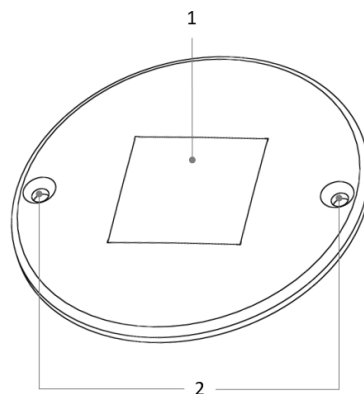
Control elements

Toilet paper holder



| | |
|--|------------------------------------|
| 1 Button C : manual flush, programming functions | 4 Button B : programming functions |
| 2 LED | 5 Wall mount |
| 3 Button A : programming functions | 6 Toilet paper axle |

User detector



| | |
|--------------------|------------------|
| 1 Detection window | 2 M3 screw holes |
|--------------------|------------------|

Important information

Proper use

The wecemat kit (all the elements constituting the wecemat accessory) is a tool, **not a toy**. It is used exclusively to automate toilet flushing. Any other use is considered non-compliant. wecemat S.A. declines all responsibility for the consequences of improper use. The device can only ensure a fair result if the user is able to use the toilet as intended.

The toilet paper holder is designed to be used with usual household toilet paper (weight <150g, diameter 12 cm, inner roll diameter 4 cm). The use of other types of toilet paper may damage the appliance and interfere with the proper operation of the product.

Read these instructions completely before using the device and follow them carefully. No warranty benefits may be claimed for damages or defects resulting from the non-observance of the instructions for use. Keep this manual close to the appliance and pass them on to the next user.

For your safety

Please carefully read and observe the important safety information set out below

To avoid danger of potentially fatal electric shock :

- Never open or repair the device yourself. Do not make any changes to the device that are not indicated in this manual. The device

contains live parts. If you open it, you expose yourself to danger of fatal injury. All repairs must only be carried out by an authorized wecemat service center, with original spare parts and accessories.

A damaged device is not safe and can cause injury or fire. To avoid damage and therefore the risk of injury and fire:

- Protect the device from environmental influences such as rain, frost and direct sunlight.
- Do not put the device or any individual parts in the dishwasher.
- Wipe the appliance with a damp, but never wet, cloth and protect it from permanent splashing water.
- Connect the appliance only according to the mains voltage indicated on the rating plate, which is located under the toilet paper holder.
- Without the supervision of a responsible person, children are not allowed to carry out cleaning and maintenance work.
- Do not allow children to play with the appliance.
- The appliance can be used by children only if they have been instructed in how to use it safely. Children must be able to recognize and understand the potential risks from misuse.

1. System installation

See separate notice « Installation guide wecemat A01-CE ».

2. Daily operation



Warning ! The wecemat system is programmed to reduce the water consumption of the flush. In order to obtain a satisfactory rinsing result, it is recommended not to use excessive amounts of toilet paper or to throw objects other than toilet paper into the bowl.

The wecemat system is programmed to trigger an automatic rinsing when the user rises from the toilet, provided that he has previously used the toilet paper disposed on the toilet paper holder.

Before the use of the wecemat system, make sure that the toilet paper holder is equipped with a roll of toilet paper. To provide the toilet paper holder with a roll of toilet paper, take a roll of 4 cm inside diameter and slide it onto the axis of the toilet paper holder.

 The toilet paper can be positioned independently of a forward or a backward movement.

Depending on the use of toilet paper in the context of wiping the buttocks, the system reacts differently. The following cases are taken into consideration.

- **Using toilet paper in sitting position.**


When using toilet paper in the sitting position, rinsing is automatically triggered as soon as the user gets up from the toilet.

- **Using the toilet paper while standing.**

When toilet paper is used in a standing position (after getting up from the toilet), rinsing is automatically initiated 12 seconds after the last toilet paper drawing.



Warning ! It may be that in this case an early rinse occurs, although the user may not have finished his task.


 If flushing does not occur after 12 seconds after the last toilet paper is taken, the user's presence may not have been correctly detected.


- **Use of toilet paper for purposes other than wiping the buttocks.**

In this case, no automatic flushing action is triggered, provided that the user has not been detected by the system.

- **Manual rinsing (optional).**

Using the button C it is possible to trigger a rinse during the pressing of the button C. In addition, it will always be possible to carry out a manual rinsing using the push buttons of the flush in case of non-operation of the automatic rinsing or an unsatisfactory rinsing result.

 Pressing the button C has no effect on system programming.

 You can disable / enable the button C function. Please refer to the next chapter 3, Permanent settings in programming mode


3. Permanent settings in programming mode

The system is equipped with intelligent flushing management to reduce water consumption, based on the amount of toilet paper used. In standard mode, the use of a small amount of toilet paper generates a consumption of 2 liters of water. Depending on larger amounts of toilet paper, a rinse of up to 4 liters of water (exceptionally 5 liters) is triggered.

 The registration of the amount of toilet paper used is indicated by a blue flicker of the LED.


- **Changing the volume of water for rinsing.**


You can individually adjust the volume of water by using the buttons on the toilet paper holder.

 **Warning !** During the adjustment, no obstacle should disturb the beam emanating from the user detector. **Do not sit on the toilet during this operation!**

Procedure to follow to change the volume of water:

| Action | LED | Comment |
|---|---|---|
| Open the toilet cover. | | |
| Push button B | Blinks blue (after 3 seconds) | Push about for 3 seconds |
| Push button A 3 times | With each press the LED flashes blue | |
| Push button C twice | With each press the LED flashes blue | |
| | At the end the LED flashes green followed by a quick purple flashing. | Repeat the procedure if the LED flashes red . |
| Push button B | Flashes quickly in blue | |
| Push button A | Flashes green/red | Initializing the programmed water volume |
| Option 1. Volume increase | | |
| Push button A | Flashes red / blue | Increase the volume of water by 0.5 liters each time the button A is pressed (maximum up to 2 liters) . |
| Option 2. Reset to standard volume | | |
| Push button B | Blinks green followed by continuous blue | Reset of the volume of water on 2 to 4 liters |
| Push button C | Flashes quickly in blue | |
| Push button C | Flashes quickly in purple | |
| Push button C | Blinks green | End of operation |

 If an error occurs during the procedure, push the button C repeatedly until the LED goes out, and repeat the procedure

 The maximum water volume cannot exceed the available volume in the water tray.

- **Automatic rinsing regardless of toilet paper usage.**

Using the buttons you can program the system so that an automatic flush is triggered regardless of the use of toilet paper.



Warning ! In this mode the water consumption can become more important because of possible involuntary triggers caused by the simple detection of a person who has not yet used the toilet paper (eg. toilet maintenance).



Warning ! During the adjustment, no obstacle should disturb the beam emanating from the user detector. **Do not sit on the toilet during this operation!**

Procedure for programming:

| Action | LED | Comment |
|---|---|--|
| Open the toilet cover. | | |
| Push button B | Blinks blue (after 3 seconds) | Push about for 3 seconds |
| Push button A 3 times | With each press the LED flashes blue | |
| Push button C twice | With each press the LED flashes blue | |
| | At the end the LED flashes green followed by a quick purple flashing. | Repeat the procedure if the LED flashes red . |
| Push button B | Flashes quickly in blue | |
| Push button B | Glowes light blue | |
| Option 1. Activating the mode | | |
| Push button B | Blinks green and turns light blue | Programming the system that activates the rinse without taking into account the use of toilet paper |
| Option 2. Reset on standard mode (taking into account the use of toilet paper) | | |
| Push button B | Blinks green and turns blue | Programming the system that activates the rinse only after using toilet paper |
| Push button C | Flashes quickly in blue | |
| Push button C | Flashes quickly in purple | |
| Push button C | Blinks green | End of operation |

- ① As long as the mode is activated (option1), the LED glows blue every 15 seconds to inform the user of the mode activation.
- ① In this mode (option 1) the user must be detected for at least 15 seconds so that an automatic flush can be triggered.
- ① In this mode (option 1) the flushing function with only 2 liters of water is deactivated.

- **Activate / deactivate manual rinsing with the C button**

Using the buttons, you can program the system so that the C button can be used to manually trigger a flush with a duration equivalent to pressing the C button. This allows intermediate rinses independent of an automatic final rinse or if rinse is needed.



Warning ! During the adjustment, no obstacle should disturb the beam emanating from the user detector. **Do not sit on the toilet during this operation!**

Procedure for programming:

| Action | LED | Comment |
|--|---|---|
| Open the toilet cover. | | |
| Push button B | Blinks blue (after 3 seconds) | Push about for 3 seconds |
| Push button A 3 times | With each press the LED flashes blue | |
| Push button C twice | With each press the LED flashes blue | |
| | At the end the LED flashes green followed by a quick purple flashing. | Repeat the procedure if the LED flashes red . |
| Push button B | Flashes quickly in blue | |
| Push button B | Glowes light blue | |
| Option 1. Activating C button | | |
| Push button A | Blinks red and turns light blue | System programming allowing rinsing during pressing the C button |
| Option 2. Deactivating C button | | |
| Push button A | Blinks green and turns blue | Programming the system to prevent rinsing during pressing the C button |
| Push button C | Flashes quickly in blue | |
| Push button C | Flashes quickly in purple | |
| Push button C | Blinks green | End of operation |

- **Disable/Reactivate the system**

Using the buttons you can disable / reactivate the system.



Warning ! During the adjustment, no obstacle should disturb the beam emanating from the user detector. **Do not sit on the toilet during this operation!**

Procedure for programming:

| Action | LED | Comment |
|------------------------------|---|--------------------------|
| Open the toilet cover. | | |
| Push button B | Blinks blue (after 3 seconds) | Push about for 3 seconds |
| Push button A 3 times | With each press the LED flashes blue | |
| Push button C twice | With each press the LED flashes blue | |

| | | |
|---------------------------------------|---|--|
| | At the end the LED flashes green followed by a quick purple flashing. | Repeat the procedure if the LED flashes red . |
| Option 1. Disable de system | | |
| Push button B | Blinks red | The LED glows red while the system is off |
| Option 2. Reactivate the syste | | |
| Push button A | Blinks green | |

4. Environmentally friendly disposal

Dispose of old appliances in an environmentally friendly way. Electrical and electronic appliances contain recyclable materials.



Please bring them to your local waste recycling center.

i We recommend that you keep the original packaging that can be used during a move or for a possible return of goods under your warranty.

5. Technical data

| | |
|---------------------|---------|
| Transformer voltage | 230V AC |
| Operating voltage | 5V DC |

6. Warranty

A two-year warranty from the date of purchase is granted on defects in construction and material defects of your new kit wecemat.

The warranty does not cover:

- Defects and damage that do not result from defects in construction and material defects.
- The use of spare parts that are not original.
- The failure to apply the instructions included in this user manual.
- If the installation has not been carried out as indicated in the installation instructions.
- If an unauthorized person has made the repair.

Damage due to transport

Any damage noted on delivery to the customer must be settled only between the customer and the seller. If the customer is alone in charge of the transport, the supplier cannot be held responsible for damage sustained during transport. All shipping damage must be reported within 24 hours after delivery: otherwise, any claim will be rejected.

7. Legal information

Directives

The appliance complies with the following directives :

- 2014/35/UE – Low Voltage Directive
- 2014/30/UE – Electromagnetic Compatibility
- 2011/65/EU – ROHS Directive

Technical changes

Subject to technical modifications. Some illustrations used in this manual are stylized and do not show the original colors of the device. Your device may differ in certain details.

v. 1.11

© wecemat 06/2019

wecemat S.A.

Technoport
Rue du Commerce
L-3895 Foetz

contact@wecemat.com
www.wecemat.com